

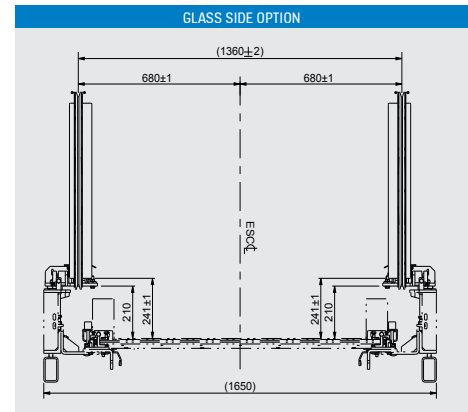
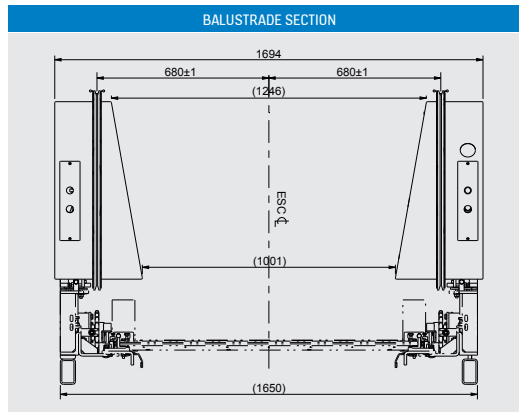
STEP TYPE	S1000
W1: Width of step	1000
W2: Handrail outer edges distance	1440
W3: Hoisting holes distance	1500
W4: Width of truss	1650
W5: Width of escalator	1694
W6: Width of pit	1790

HA	HB	DD	EE
1000	1000	667	W1:1000 837

- All dimensions are in millimeters
- Maximum vertical rise $H = 22\text{ m}^*$
- One intermediate support is required when the span (L) exceeds $L = 17200\text{ mm}$. Second intermediate support required when span (L) exceeds $L = 30000\text{ mm}$. Third support is required when distance between two support points exceeds 15000 mm . If intermediate support is required, please contact your KONE sales organization.
- Truss extensions are required at the upper head depending upon height rise and motor size. For these dimensions please contact your local sales organization.

* For rises above 18 m please contact your local KONE sales organization.

Note: If you would like to obtain the exact dimensions for your specific project, we recommend you use the Escalator Design Tools, which can be found on www.kone.com.



TYPE			W1: Width of step	AA	BB	CC	FF	HL	HI	HU
Std. Truss (IH=1170)	30-4/4	R2.7/2.0	1000	3340	3910	1.7321H	5660	1160	1090	1430
		R3.6/2.0	1000	3340	4133	1.7321H	5660	1160	1090	1430
Reinf. Truss (IH=1350)	30-4/4	R2.7/2.0	1000	3340	3910	1.7321H	6020	1160	1270	1430
		R3.6/2.0	1000	3340	4133	1.7321H	6020	1160	1270	1430
Reinf. Truss (IH=1550)	30-4/4	R2.7/2.0	1000	3340	3910	1.7321H	6420	1160	1470	1430
		R3.6/2.0	1000	3340	4133	1.7321H	6420	1160	1470	1430

Truss extension is not included in AA/BB/FF / Please notice AA/DD/FF need min.EXT 170 if need 2nd handrail drive

LOCATION OF CONTROLLER: INSIDE TRUSS									
W1: Width of step	Motor power (KW)	Truss heating (KW)	Comb heating (KW)	Total power (KW)	Power supply (KVA)	Truss extension upper head		Truss extension lower head	
						Min. EXT	Max. EXT	Min. EXT	Max. EXT
1000	5.5	2	0.5	8	10	500	1400	Without 2 nd handrail drive Min. EXT=0	800
1000	7.5	3	0.5	11	15	500	1400		800
1000	9.2	4	0.5	13.7	15	500	1400		800
1000	11	4	0.5	15.5	20	650	1400		800
1000	15	6	0.5	21.5	25	650	1400		800
1000	18.5	7	0.5	26.0	30	800	1400	With 2 nd handrail drive Min. EXT=170	800
1000	22	8	0.5	30.5	35	800	1400		800
1000	2 x 15	11	0.5	43.7	45	1100	1400		800
1000	2 x 18.5	14	0.5	53.7	55	1200	1400		800
1000	2 x 22	15	0.5	61.7	65	1200	1400		800

Installation environment	Handrail driving arrangement need 2 nd handrail drive	
	Friction wheel drive	Newel and wheel drive
Indoor / Semi-outdoor	H > 13 m	H > 16 m
Outdoor	H > 12 m	H > 16 m

LOCATION OF CONTROLLER: OUTSIDE TRUSS									
W1: Width of step	Motor power (KW)	Truss heating (KW)	Comb heating (KW)	Total power (KW)	Power supply (KVA)	Truss extension upper head		Truss extension lower head	
						Min. EXT	Max. EXT	Min. EXT	Max. EXT
1000	5.5	2	0.5	8	10	300	1400	Without 2 nd handrail drive Min. EXT=0	800
1000	7.5	3	0.5	11	15	300	1400		800
1000	9.2	4	0.5	13.7	15	300	1400		800
1000	11	4	0.5	15.5	20	300	1400		800
1000	15	6	0.5	21.5	25	300	1400		800
1000	18.5	7	0.5	26.0	30	400	1400	With 2 nd handrail drive Min. EXT=170	800
1000	22	8	0.5	30.5	35	400	1400		800
1000	2 x 15	11	0.5	43.7	45	600	1400		800
1000	2 x 18.5	14	0.5	53.7	55	700	1400		800
1000	2 x 22	15	0.5	61.7	65	700	1400		800